

MF1118V-2

FOR DIGITAL MOBILE TELEPHONE, Tx

MF1118V-2

DESCRIPTION

This SAW filter for the RF circuit of digital mobile communication equipment operating at 1429 MHz ~ 1453 MHz.

FEATURES

1. SMD package insures small size, lightweight.
2. Adjustment free.
3. Low insertion loss and high stop band attenuation.
4. Wide and sharp passband characteristics.
5. High stability and reliability.
6. Designed for reflow solderings.

APPLICATION

- Digital mobile cellular telephone
- Portable digital cellular telephone
- Wireless equipment

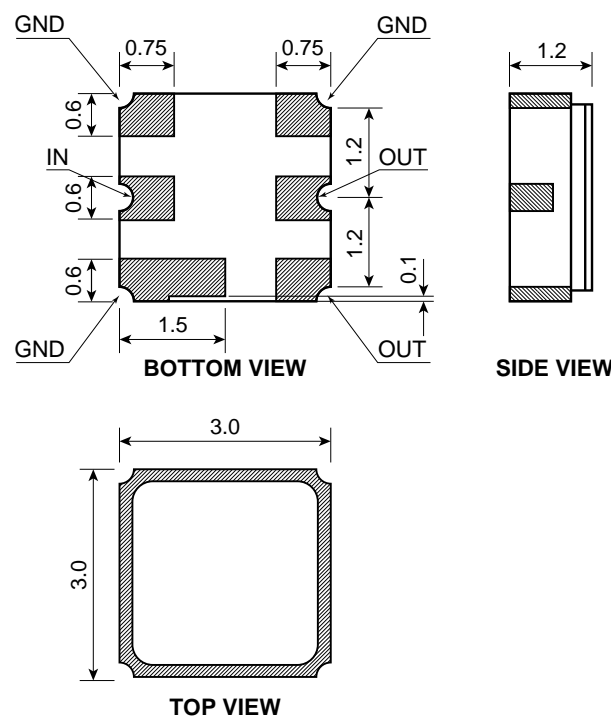
MAXIMUM RATINGS

Rating	Value	Unit
Input Power	40	mW
Operating Temperature Range	-20 to 75	°C
Storage Temperature Range	-30 to 85	°C

ELECTRICAL PERFORMANCE

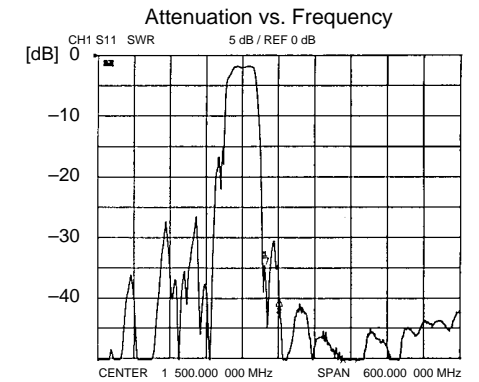
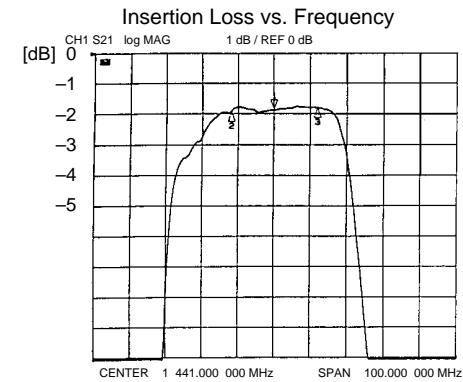
Parameter	MF1118V-2			Units
	Min	Typ	Max	
PASSBAND FREQUENCY	1429 – 1453			MHz
PASSBAND CHARACTERISTICS				
Insertion Loss		2.3	3.0	dB
Ripple		0.5	1.0	dBp-p
VSWR		1.7	2.5	
STOPBAND ATTENUATION				
0 – 1050 MHz	40	45		dB
1050 – 1360 MHz	25	28		dB
1477 – 1501 MHz	17	25.5		dB
1607 – 1631 MHz	40	45		dB
1785 – 1809 MHz	37	46		dB
1809 – 3000 MHz	25	32		dB

PACKAGE OUTLINE DIMENSIONS

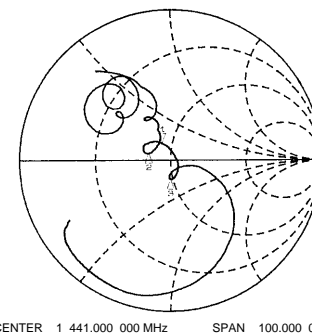


DIMENSIONS ARE IN MILLIMETERS
±0.2 UNLESS OTHERWISE SPECIFIED

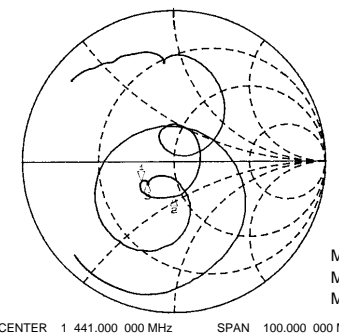
MF1118V-2 TYPICAL CHARACTERISTICS



Input Reflection Coefficient vs. Frequency
CH1 S11 1 U FS



Output Reflection Coefficient vs. Frequency
CH1 S22 1 U FS



MARKER 1 : 1441 MHz
MARKER 2 : 1429 MHz
MARKER 3 : 1453 MHz

MARKER 1 : 1441 MHz
MARKER 2 : 1429 MHz
MARKER 3 : 1453 MHz